

LIGHTING SOLUTIONS FOR CONTROLLED ENVIRONMENT

T5 FLUORESCENT TUBES TOP ACCESS RPTA 254



Applications

Environmentally controlled areas

Specifications

Design

Recessed luminaire specifically designed for 'walk on ceilings' or areas where maintenance access is required from above. The specific design of this lighting fixture allows maintenance from above reducing the risk of contamination to the controlled area below to a strict minimum and without disturbance of the activities in those areas.

Body & frame

Zinc coated CRCA sheet steel finished in epoxy polyester powder coated of 70-80 micron thickness.

Standard colours

RAL 9002 - 9010

Reflector

Precisely designed pre-anodised aluminium reflector to achieve desired light distribution.

Ballast

Wired with 1 non-dimmable Osram ballast.

Gear tray

Electrical connection by means of 3 way push fit connector and polycarbonate lamp holders to retain T5 lamps.

Voltage

230 Volts AC - other voltages upon request

IP-rating

IP 65 (bottom)

Options

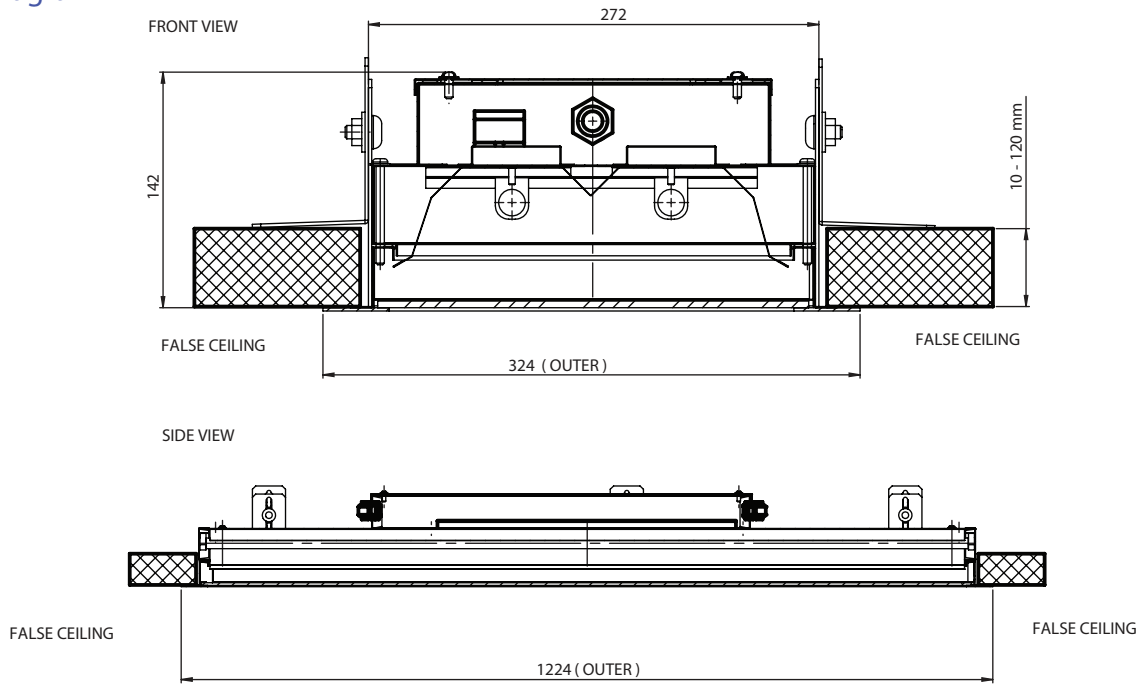
1. Emergency battery backup
2. Dimmable ballast
3. Stainless steel frame
4. Film (protective, sandblasted, UV...)
5. Walkover tray

Guarantee type 3B

Osram standard lamps: 3 years
Osram ballast: 5 years

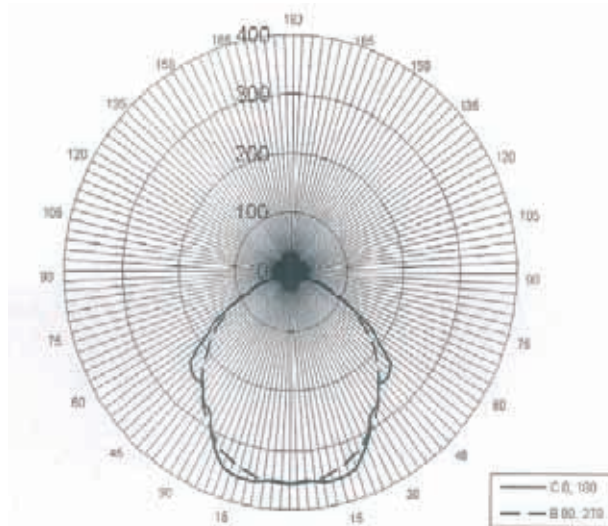
T5 FLUORESCENT TUBES TOP ACCESS RPTA 254

Diagram



Cut Out: 300mm x 1200mm

Data



RPTA254	Lamp Type & Wattage (W)	Nominal Voltage (V)	Mains Current in Amps. at 230 V	Power Factor	Nett. Wt. in Kgs.
	2 x 54W TA	230 V	0.5	0.992	13.950

Subject to possible changes