

# LIGHTING SOLUTIONS FOR CONTROLLED ENVIRONMENT

## LED LINE TOP ACCESS RPTA 600 600 3 x 2200 lm



conform with  Zhaga



## Applications

Environmentally controlled areas

## Specifications

### Design

Recessed luminaire specifically designed for 'walk on ceilings' or areas where maintenance access is required from above. The specific design of this lighting fixture allows maintenance from above reducing the risk of contamination to the controlled area below to a strict minimum and without disturbance of the activities in those areas.

### Body & frame

Zinc coated CRCA sheet steel finished in epoxy polyester powder coated of 70-80 micron thickness. Tempered glazing.

### Standard colours

RAL 9002 - 9010

### Connector

Electrical connection by means of 3 way push fit connector.

### LED

OSRAM PrevaLED® Linear Slim - 4000 K  
Lifetime >50000 Hr  
Output 139lm/W

### Voltage

230 Volts AC - other voltages upon request

### IP-rating

IP 65 (bottom) / IP 54

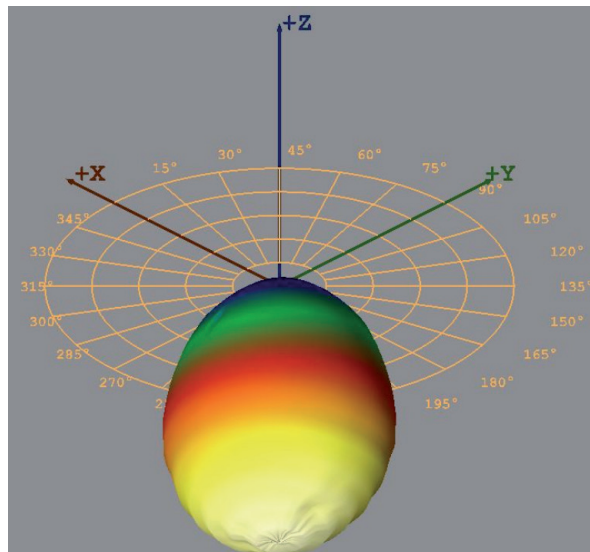
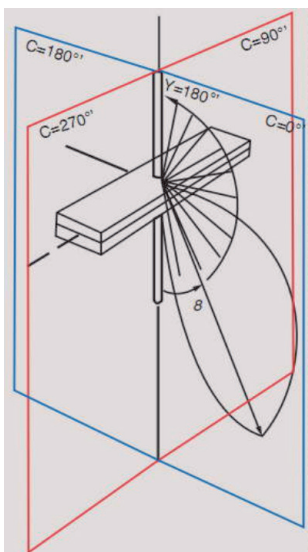
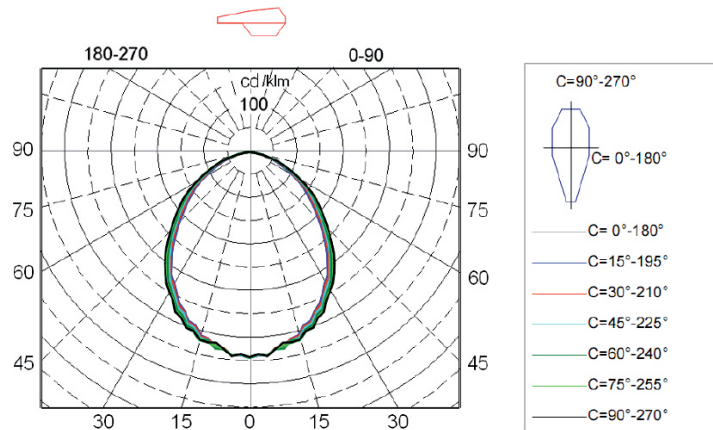
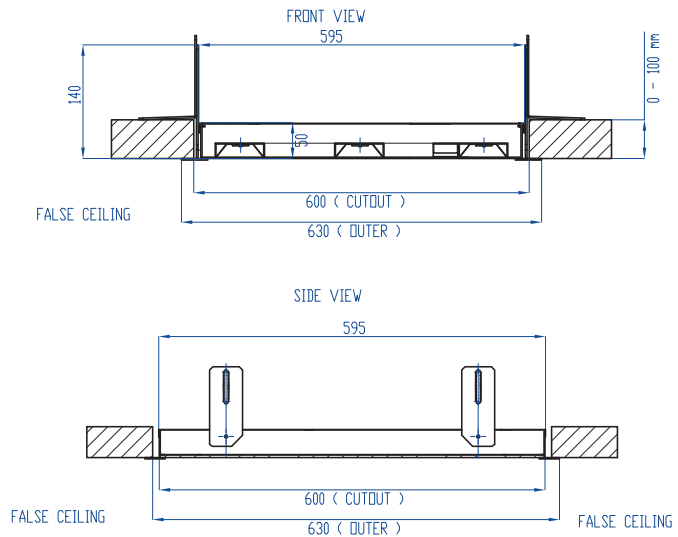
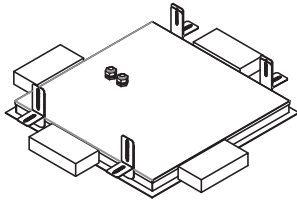
### Options

1. Dimmable
2. Integrated emergency pack (1-3 hrs)
3. 1300 lm ledstrips
4. different colour temperature (K)

### Garantee

OSRAM 5 year warranty

**LED LINE**  
**TOP ACCESS**  
**RPTA 600 600**  
**3 x 2200 lm**



Subject to modification