

LIGHTING SOLUTIONS FOR CONTROLLED ENVIRONMENT

T5 FLUORESCENT TUBES SURFACE MOUNTED RPSM 254



Applications

Environmentally controlled areas

Specifications

Design

Surface mounted luminaire specifically designed for controlled areas.

The specific design of this lighting fixture allows maintenance from below. The joint frame-ceiling can easily be siliconed.

Allows easy cleaning.

Body & frame

Zinc coated CRCA sheet steel/aluminium, finished in epoxy polyester powder coated of 70-80 micron thickness.

Standard colour

White

Reflector

Precisely designed pre-anodised aluminium reflector to achieve desired light distribution.

Ballast

Wired with 1 non-dimmable Osram ballast.

Gear tray

Electrical connection by means of 3 way push fit connector and polycarbonate lamp holders to retain T5 lamps.

Voltage

230 Volts AC - other voltages upon request

IP-rating

IP 65 (bottom)

Options

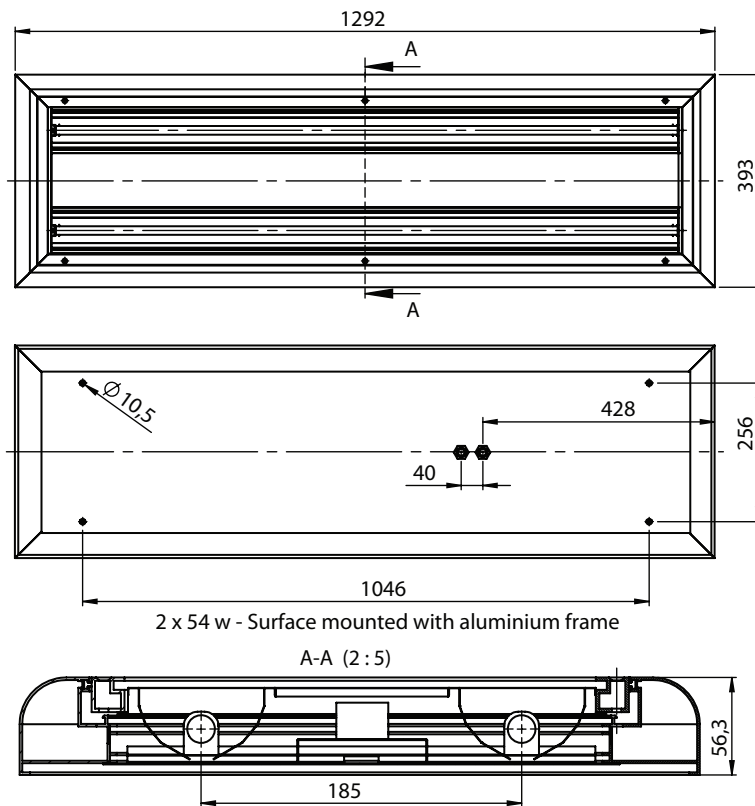
1. Emergency battery backup
2. Dimmable ballast
3. Film (protective, sandblasted, UV...)

Guarantee type 3B

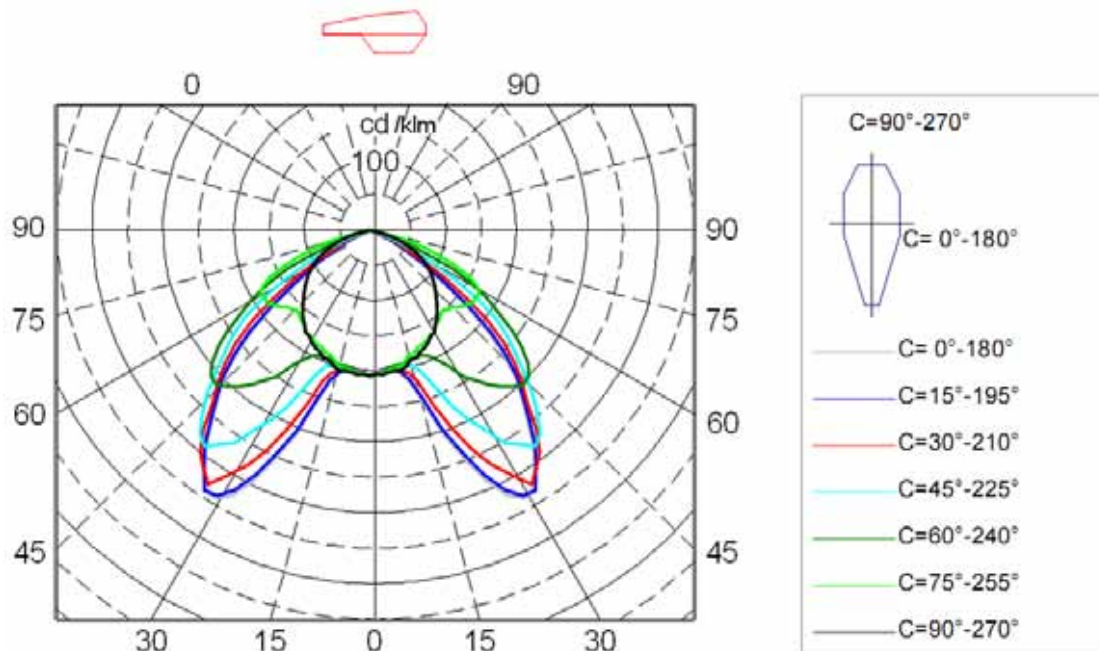
Osram standard lamps: 3 years
Osram ballast: 5 years

T5 FLUORESCENT TUBES SURFACE MOUNTED RPSM 254

Diagram



Data



RPSM254	Lamp Type & Wattage (W)	Nominal Voltage (V)	Mains Current in Amps. at 230 V	Power Factor	Nett. Wt. in Kgs.
	2 x 54W	230 V	0,49	0,99	11,100

Subject to possible changes