

LIGHTING SOLUTIONS FOR CONTROLLED ENVIRONMENT

LED LINE BOTTOM ACCESS RPBA 300 1200 4 x 2200 lm



conform with  Zhaga



Applications

Environmentally controlled areas

Specifications

Design

Recessed luminaire specifically designed for 'walk on/non walk on ceilings' or areas where maintenance access is required from below (Cleanroom). The specific design of this lighting fixture allows maintenance from below, reducing the risk of contamination from above the ceiling.

Body & frame

Zinc coated CRCA sheet steel finished in epoxy polyester powder coated of 70-80 micron thickness. Tempered glazing.

Standard colours

RAL 9002 - 9010

Connector

Electrical connection by means of 3 way push fit connector.

LED

OSRAM PrevaLED® Linear Slim - 4000 K
Lifetime >50000 Hr
Output 165 lm/W

Voltage

230 Volts AC - other voltages upon request

IP-rating

IP 65 (bottom) / IP 54

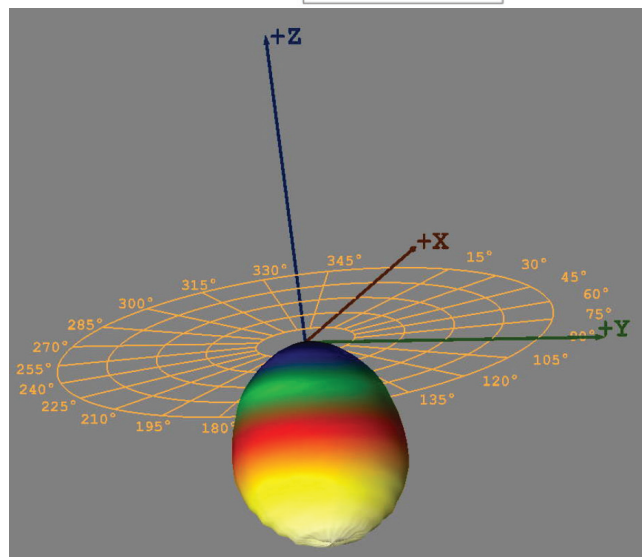
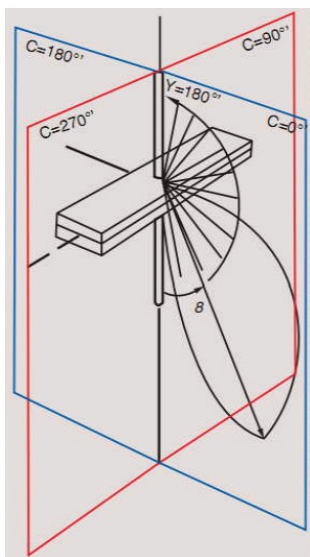
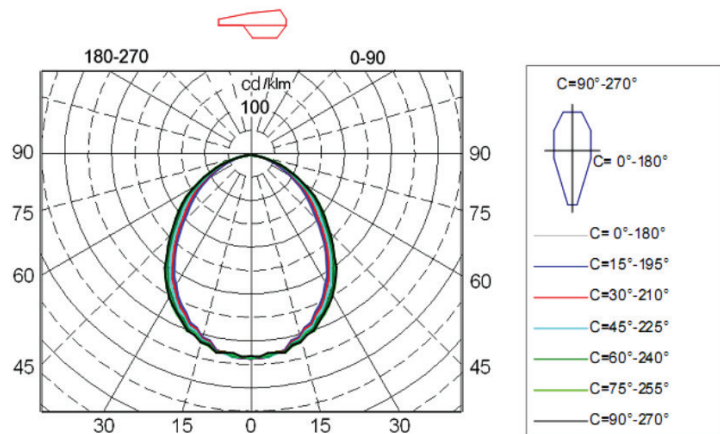
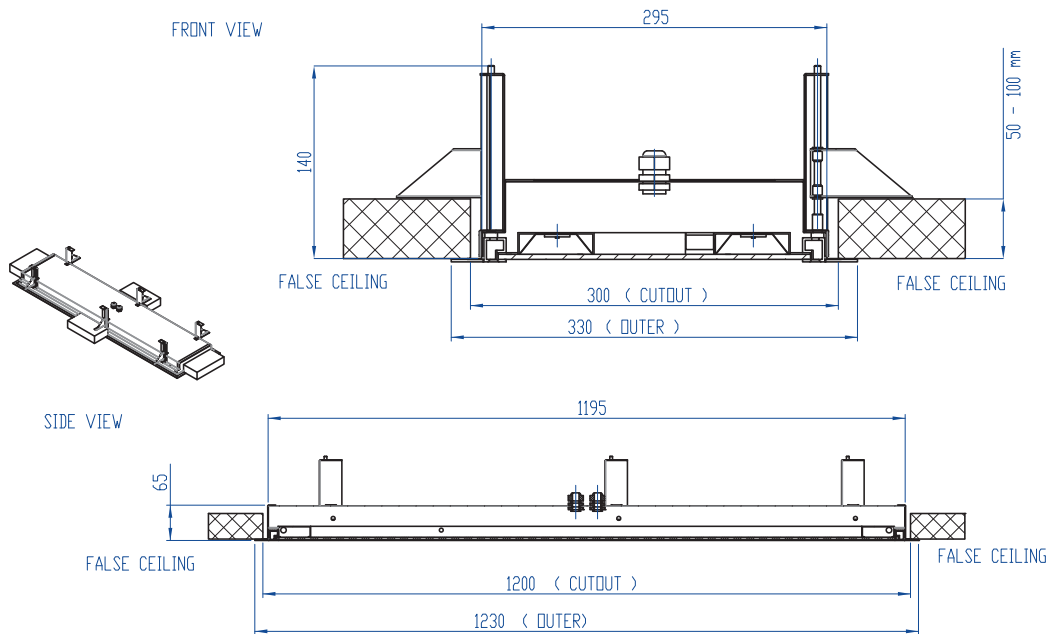
Options

1. Dimmable
2. Integrated emergency pack (1-3 hrs)
3. 1300 lm ledstrips
4. different colour temperature (K)

Garantee

OSRAM 5 year warranty

LED LINE BOTTOM ACCESS RPBA 300 1200 4 x 2200 lm



Subject to modification