

# VISION PANELS

## BREAK OUT PANEL



## EMERGENCY EXIT

### Instructions in case of emergency exit by window

1. Take the window punch.
2. Put the black point on the glass (+/- 5 cm of border, see plan).
3. Pull back the orange part.
4. Release the orange part.
5. Remove the broken glass by feet and hands
6. Exit.

### Window to break

Two impact zones possible (at +/- 5 cm of border)



3° Pull back the orange part, +/- 5 - 7 cm

4° Release orange part



## Applications

The BREAK OUT PANELS are used in controlled environments

## Specifications

The assembly is built up of 2 parts:  
the FRAME and the GLAZING

### The frame

Depending on the frame profile used, a BREAK OUT PANEL can be produced for different wall thickness.

The powder coated profiles are manufactured from an extruded aluminium and/or PVC section. These profiles are cut to length using a computerized saw for a perfect mitred corner joint.

In case of a double glazing, hygroscopic crystals are placed in the cavity of the bottom profile before the profiles are wedged and glued together on a calibrated surface, forming a frame with perfect angles and thus preventing internal condensation.

### Special designed frame

For special projects we develop and design custom made frames which match the customers' specific needs or customized specifications.

### The glazing simple/double

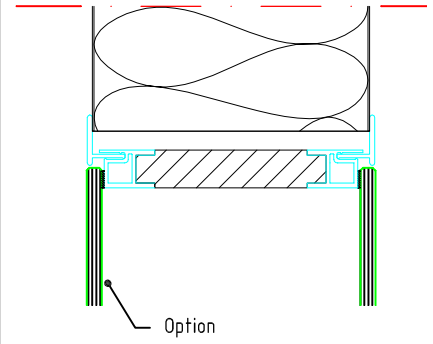
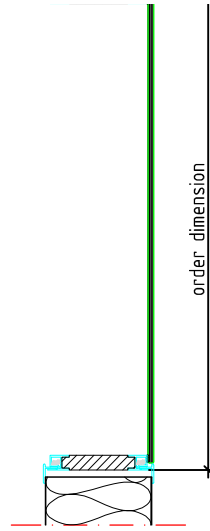
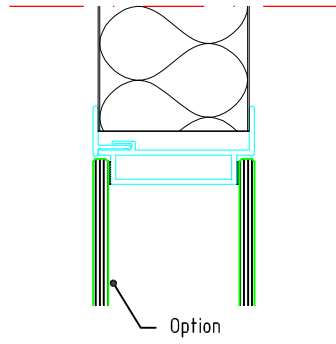
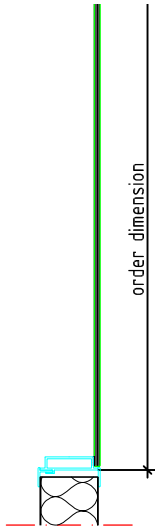
Upon request, the breakoutpanel can be provided with 2 glasspanes.  
Standard provided with tempered glazing.

### Standard included:

Window Punch, fixing bracket and self adhesive label 'Emergency Exit'.

### Options

- Stainless steel frame
- Sand blasted glazing
- Different breaking tool
- ...



Vertical section  
flush window 40/60/80mm

Vertical section  
flush window adapted thickness

